

31139T-4 落地式浴缸龙头(不含手持花洒)

安装之前

所有的资料是按最新出版的产品资料编写而成。科勒公司保留任何时候不经通知即可改变产品特性、包装或产品可供类型的权利。

说明书包括重要的安装、保养及清洁方面的内容，请把这些资料交给用户阅读。

注意事项：

1. 一定要先彻底冲洗供水管以清除管道中的杂质。
2. 检查供水管有无损坏。如需要，进行替换。
3. 遵守当地管路安装条例。
4. 预埋前测试安装连接部位是否有渗漏，根据需要修理之。
5. 安装本产品时请与97905T配套使用。

BEFORE YOU BEGIN

All information is based on the latest product information available at the time of publication. Kohler Co. reserves the right to make changes in product characteristics, packaging, or availability at any time without notice.

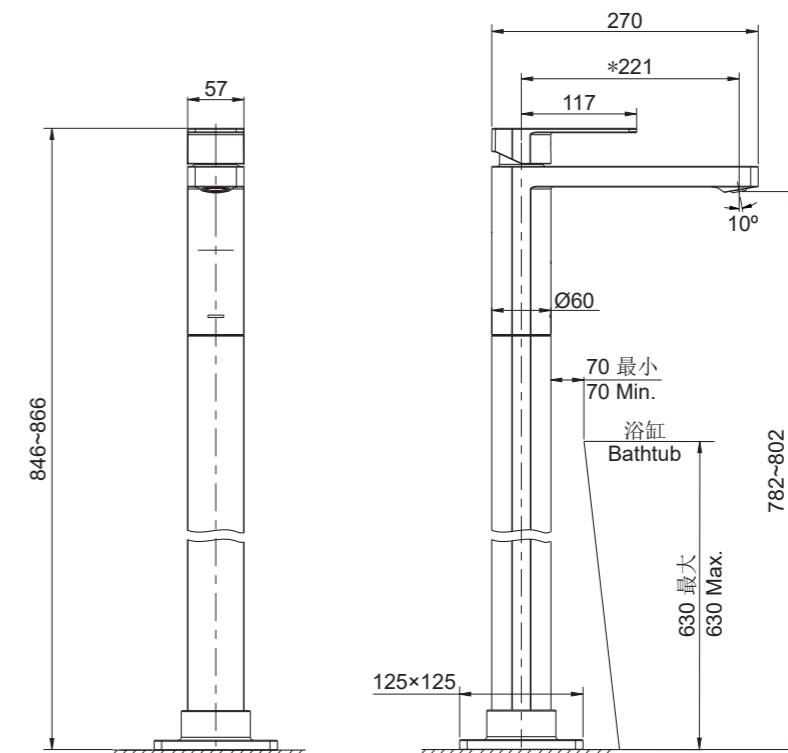
Please leave these instructions for the consumer. They contain important information.

NOTES:

1. Flush the water supply pipes thoroughly to remove debris.
2. Inspect the supply tubing for damage. Replace if needed.
3. Observe local plumbing codes.
4. Check for leaks before covering the pipes, repair if needed.
5. Please purchase the matched mounting base 97905T when install the faucet.

安装尺寸

ROUGH-IN DIMENSIONS



*请根据图示尺寸选择合适的浴缸

* Please purchase the appropriate bathtub according to the dimension.

安装步骤

INSTALLATION

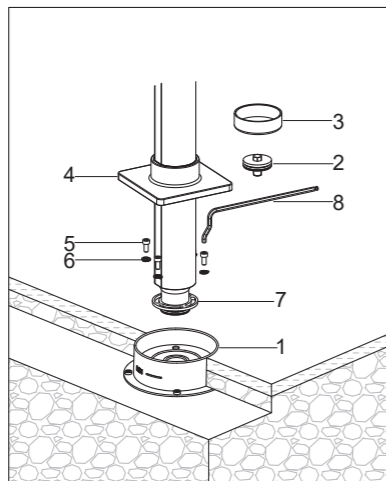
如何安装龙头

关闭水源。用锯条贴地砖表面锯除预埋底座上保护罩(1)露出部分,并取下塞头(2)。从龙头上取下保护套(3)。

上滑装饰盖组件(4),安装龙头。**注意:**安装时请保持龙头垂直装入,防止破坏底部O型圈。

将龙头出水口正对浴缸,用螺钉(5)套上垫片(6)通过法兰盘(7)将龙头固定到底座上。用六角扳手(8)锁紧螺钉。

下滑装饰盖组件使其贴紧地面。



How to Install the Faucet

Shut off water supply. Cut away the extending part of the base protector(1) in accordance with the tile surface. Remove the plug(2) from the base. Remove the protector(3) from the faucet.

Slide up the escutcheon kit(4). Install the faucet. **NOTE:** Keep the faucet vertical to the base, to avoid damaging the O-rings on the bottom.

Keep the spout pointing to tub. Fix the faucet to the base with the screws(5) and washers(6) through the flange(7). Tighten the screws with hex wrench(8).

Slide down the escutcheon kit until it is against the finished floor.

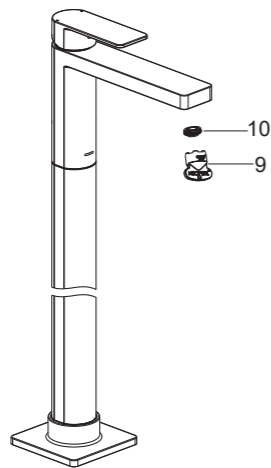
安装结果检查

INSTALLATION CHECKOUT

检查并确保所有衔接螺母都已拧紧,确保手柄在关闭的位置。

开启主水源,检查是否漏水。如有漏水,修理之。

用工具(9)拆下起泡器(10)。打开冷热水,让水流约一分钟以清除杂质。检查渗漏,关闭水源,装回起泡器。



Ensure all coupling nuts are tight. Ensure the handle is in the off position.

Turn on the main water supply, and check for leaks. Repair as needed.

Remove the aerator(10) with tool(9). Run hot and cold water through spout for about one minute to remove any debris. Check for leaks at this time. Shut off water supply. Reinstall the aerator.

使用说明

HANDLE OPERATION

将把手轻轻提起,顺时针旋转为热水,逆时针旋转为冷水。

Lift the handle gently. Turn clockwise for hot water, turn counter-clockwise for cold water.

清洗说明

CLEANING INSTRUCTIONS

适用于所有加工处理过的表面:以中性肥皂水清洗镀层表面,再以干净的软布彻底擦干整个表面,许多清洁剂,比如氨水、去污粉及洁厕灵等,会对电镀表面造成伤害,切忌使用。

All Finishes: Clean the finish with mild soap and warm water. Wipe entire surface completely dry with clean soft cloth. Many cleaners may contain chemicals, such as ammonia, chlorine, toilet cleaner etc. which could adversely affect the finish and are not recommended for cleaning.

有磨损性的清洁用具或清洁剂也不可适用于科勒牌的水龙头及其配件上。

Do not use abrasive cleaners or solvents on Kohler faucets and fittings.

KOHLER®

SERVICE PARTS

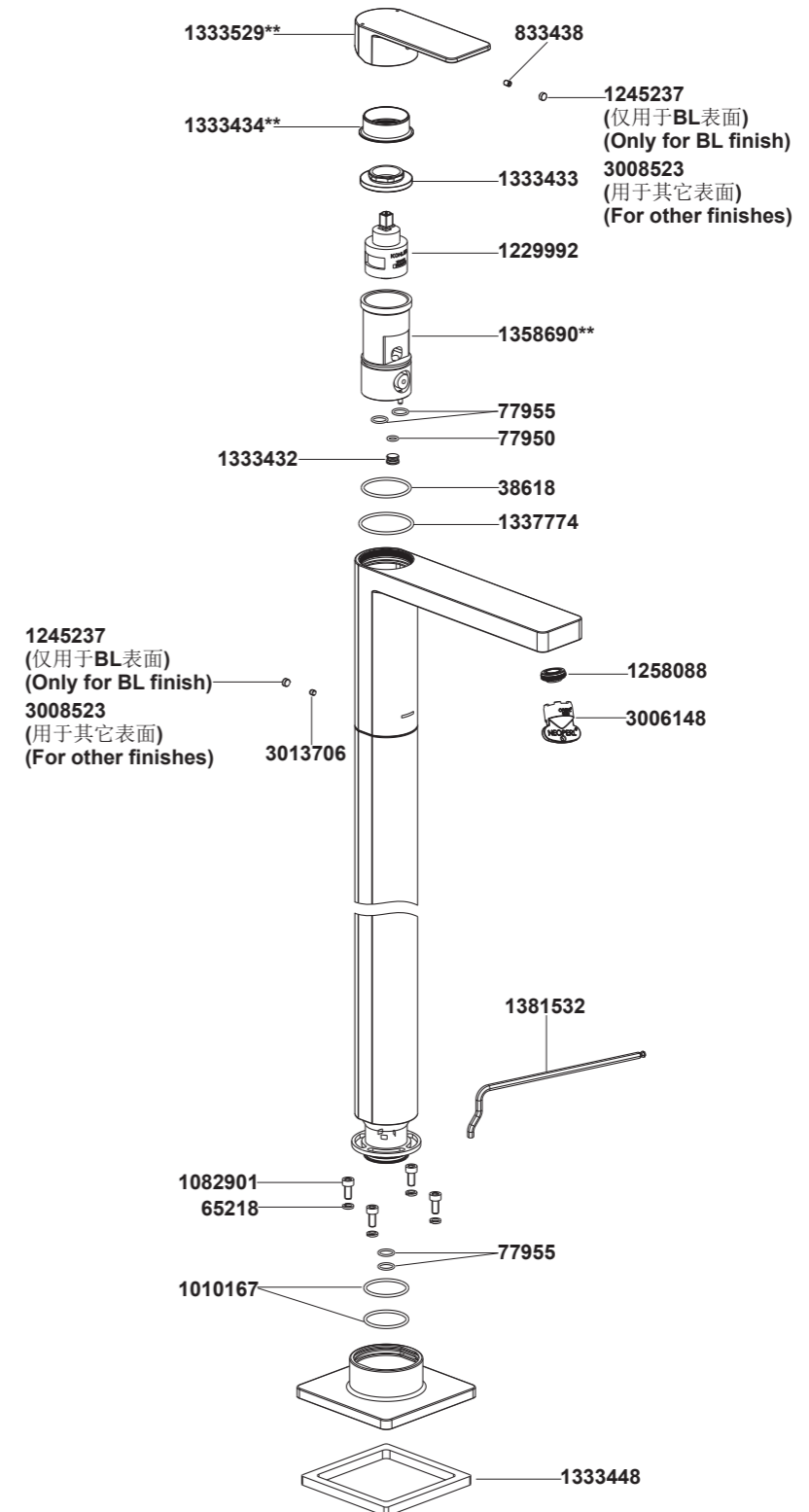
零件图

若方

PARALLEL

Floor Mount Bath Filler without Handshower

31139T-4 落地式浴缸龙头(不含手持花洒)



**订购时请说明颜色编号

**Color code must be specified when ordering